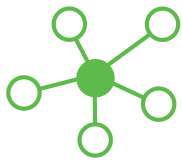


2.4GHz 300Mbps Managed Indoor Ceiling Mount Access Point

WIS-CM2300L

(((**2.4**GHz)))



central managed

≡ **94** Mbps+

real throughput



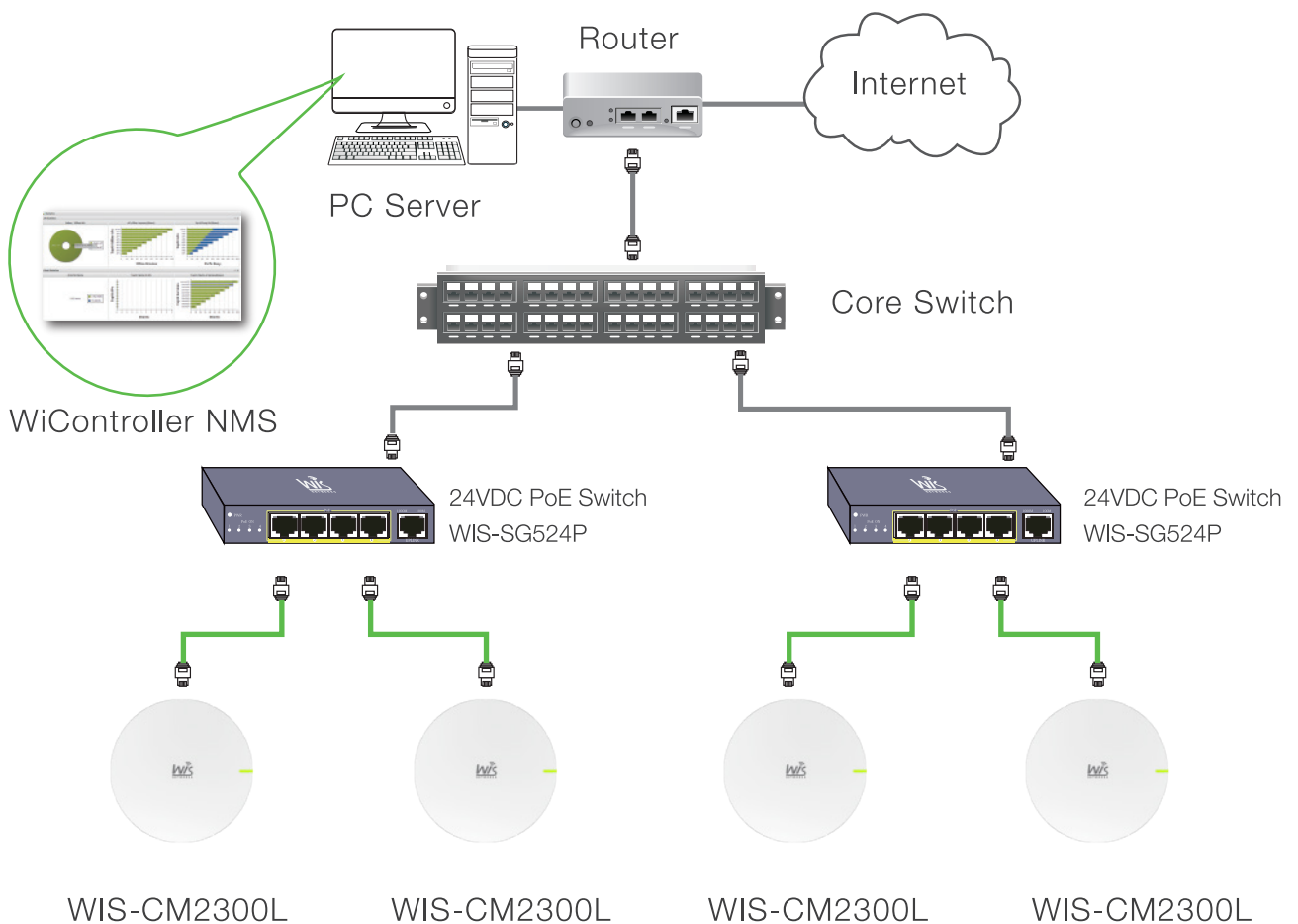
Product Overview

WIS-CM2300L is a stylish PoE Wireless Access Point featuring 802.11n 2*2 MIMO technology and unique ceiling-mount and wall-mount design. With the beamforming technology and integrated smart antenna design WIS-CM2300L is ideal for handling multiple HD movies stream, on-line game, stereo music, VoIP and data streams at the same time stably and smoothly. The 24VDC PoE LAN port makes WIS-CM2300L can be powered and networked by a single Ethernet cable and deployed on the ceiling to reduce the wireless interference by obstacles. This product is ideal for enterprises, hotels, hospitals and commercial users to extend wireless network coverage.

Features and Benefits

- Compliant with 802.11n/g/b, speed up to 300Mbps
- Integrated antenna and tx power adjustable
- Supports mass management with Wisnetworks Wicontroller
- Up to 4 Multiple SSID
- 24VDC POE for flexible deployment with PoE switch
- Supports QoS: Traffic Control & WMM
- Supports MAC & IP Address Filter
- Easy to install with ceiling mount and wall mount

Network Example



Specification

> Radio

- 802.11b/g/n radio (Atheros 600MHz)
 - Speed up to 300 Mbps
 - Frequency Range: 2.4-2.4835GHz
 - Tx Power up to 20dBm
 - Rx Sensitivity 300M: -74dBm@10% PER
54M: -78dBm@10% PER
1M: -95dBm@10% PER
-

> Antenna

- 3dBi internal omni-directional antenna
-

> Interfaces

- 1x 10/100Base-T Ethernet (RJ45 with 24VDC PoE)
 - Reset
-

>Physical Parameters

- Dimension: Φ 160*30mm
 - Wight: 0.3kg
 - Working Temp: -10 ~ 50°C
 - Storage Temp: -20 ~70°C
 - Working Humidity: 10%~95% non-condensing
-

> Power

- 24VDC, 0.75A
 - Power Consumption: 6W
-

> Management

- Web Interface
 - CLI (Telnet)
 - Ping Watchdog
 - Wicontroller Management Tool
-

>Security

- Integrated Firewall
 - WPA/WPA2;WPA-PSK/WPA2-PSK (AES/TKIP) Encryption; 64/128-bit WEP;
 - Hidden SSID
 - MAC / IP Address Filtering
-

>Network Mode

- Access Point
 - SOHO Router
-

>QoS

- WMM
 - Bandwidth Control
 - P2P Control
-

>Warranty

- 2 Year
-

>Certification

- CE, RoHS
-

>Package content

- WIS-CM2300L
 - Quick Setup Guide
 - 24VDC PoE Adapter
 - Mounting kits
-



DECLARATION OF CONFORMITY

We, Importer/Distributor **DOTMEDIA LTD**

KATEVASIAS & NTALIAS 18 AXARNAI, GREECE

In accordance with the following Directives:

**EMC Directive 2004/108/EC, Low Voltage Directive 2006 /95/EC,
R&TTE Directive 1999/5/EC**

The product is compatible with the following norms/standards

<u>Applied Standards</u>	<u>Report No.</u>
Article 3.2 : Effective Use OF the Radio Spectrum ETSI EN 300 328 V1.7.1 (2006-10)	TEK-2013NT1213776R1 (07/01/2015)
Article 3.1b : Electromagnetic Compatibility ETSI EN 301 489-17 V2.2.1 (2012-09) ETSI EN301 489-1 V1.9.2 (2011-09)	NTEK-2013NT1213774E1 (07/01/2015)
Article 3.1a : Health and Safety ETSI EN 62311:2008 EN 60950-1:2006+A11:2009+A1:2010+A12:2011	NTEK-2013NT1213774H (07/01/2015) NTEK-2013NT1213776S (23/01/2015)

Hereby we declare that:

Equipment	Access Point / Router
Model number	Q2300, Q2300L, Q5300, Q5300L, S2300, S5300, CM2300, CM2300L, CM712AC, WM2300.
Brand name	WISnetworks

Is in conformity with the applicable requirements of the following documents

I hereby declare that the equipment named above has been designed to comply with the Relevant sections of the above referenced specifications. The unit complies with all Applicable Essential Requirements of the Directives

Place and date of issue

Signature

AXARNAI, 27/5/2017

DOTMEDIA ΕΜΠΟΡΙΑ ΑΝΑΛΟΓΙΜΩΝ ΕΙΔΩΝ
& ΕΦΑΡΜΟΓΩΝ ΠΛΗΡΟΦΟΡΙΚΗΣ ΕΠΕ
ΥΠΟΛΟΓΙΣΤΕΡΙΑ ΚΑΙ ΠΡΟΪΚΤΟΡΕΣ
ΚΑΤΕΒΑΣΙΑΣ & ΝΤΑΛΙΑΣ, ΑΧΑΡΝΕΣ Τ.Κ. 17671
Α.Φ.Μ.: 999075747 - Δ.Ο.Υ.: ΑΧΑΡΝΩΝ
ΤΗΛ.: 210 2849836, 210 2840486, 210 2849419
FAX: 210 2446835

(Theodoros Mavroeidis)